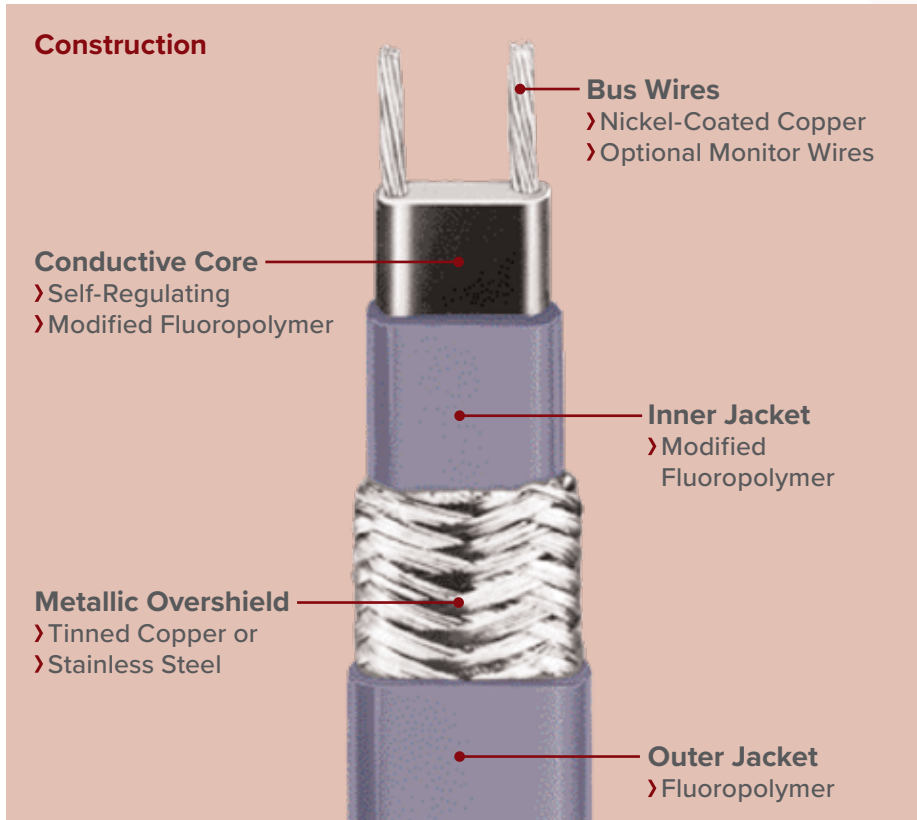


# 2300 Series

## Dekoron® Self-Regulating Heating Cable



### Description

The 2300 series of self-regulating heating cables are designed to supply a specified amount of heat at any point along their length in direct response to local temperature variations. These cables can maintain temperatures up to 250°F (120°C) and will withstand 150 psig saturated steam purging and intermittent temperature excursions to 366°F (185°C).

2300 series cables can be cut to length and terminated in the field, and will not overheat or burnout when overlapped.

### Applications

The industrial-grade 2300 series cables provide freeze protection and process temperature maintenance for fluid transport and storage systems requiring high levels of heat output or exposure to elevated temperatures.

The bus wires, jackets and metallic braids can be configured for both ordinary (non-classified) locations and hazardous (classified), including areas where exposure to corrosive or organic materials is possible.

### Performance Ratings

#### Output wattage:

5, 10, 15 W/ft at 50°F

#### Supply voltages:

110-120 or 208-277VAC

#### Continuous maintenance temperature:

250°F (120°C) max

#### Maximum exposure temperature:

366°F (185°C) max

#### T Rating\*:

T-3

#### Braid resistance:

Tinned copper: 0.003 Ω/ft

Stainless steel: 0.125 Ω/ft

\*T-Rating per the 1999 NEC, Tables 500-5(d) and verified by FM and CSA.

### Approvals/Certifications

#### Factory Mutual:

Ordinary locations

Hazardous locations

Class I, Div 1<sup>1</sup>/<sub>2</sub>, Groups B, C, D

Class II, Div 2, Groups F, G

Class III, Div 2

#### CSA:

Ordinary locations STD-130-03-G,-W,-S

Hazardous locations

Class I, Div 1<sup>1</sup>/<sub>2</sub>, Groups A, B, C, D

Class II, Div 1<sup>1</sup>/<sub>2</sub>, Groups E, F, G

Class III, Div 1<sup>1</sup>/<sub>2</sub>

\*Contact a Diamond Thermal Systems representative for information on Division 1 hazardous location systems.

### Accessories

Diamond Thermal Systems carries a full line of approved accessories, including power connection kits, terminations, splices, end seals, and controls.

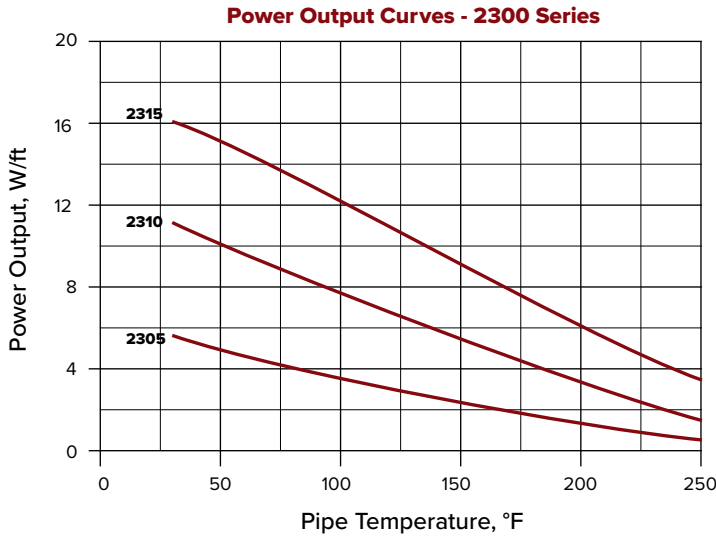
# Diamond

THERMAL SYSTEMS™

BY BRAND) SAFWAY

# 2300 Series

Dekoron® Self-Regulating Heating Cable



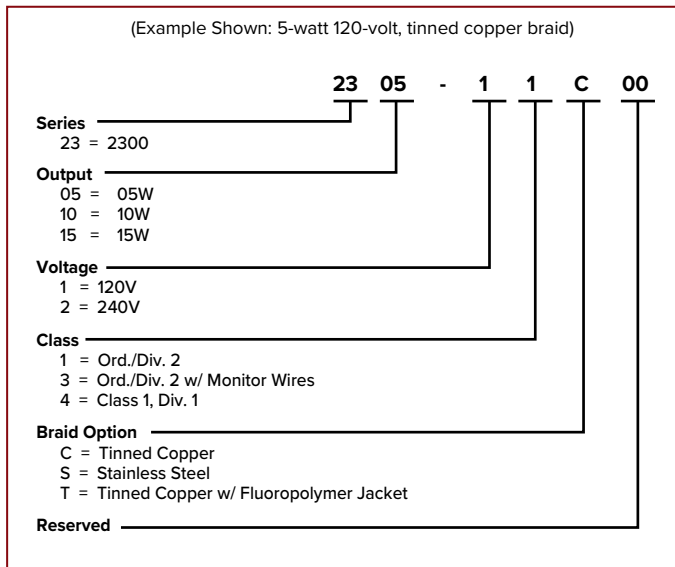
## 120-Volt Circuit Breaker Sizing vs. Max Circuit Length (FT)

Max. Circuit Length (Ft.)	15A	20A	30A
2305-1 if started at:			
50°F (10°C)	150	200	240
0°F (-20°C)	135	180	220
-40°F (-40°C)	130	170	210
2310-1 if started at:			
50°F (10°C)	90	120	180
0°F (-20°C)	85	110	165
-40°F (-40°C)	80	105	160
2315-1 if started at:			
50°F (10°C)	70	90	130
0°F (-20°C)	65	85	125
-40°F (-40°C)	60	80	120

## 240-Volt Circuit Breaker Sizing vs. Max Circuit Length (FT)

Max. Circuit Length (Ft.)	15A	20A	30A
2305-2 if started at:			
50°F (10°C)	250	330	480
0°F (-20°C)	230	305	440
-40°F (-40°C)	220	295	420
2310-2 if started at:			
50°F (10°C)	140	190	280
0°F (-20°C)	130	175	260
-40°F (-40°C)	125	170	250
2315-2 if started at:			
50°F (10°C)	100	135	200
0°F (-20°C)	95	125	185
-40°F (-40°C)	90	120	180

## Product Ordering Information



**NOTE:** Recommended circuit breakers to minimize the effect of transit start-up currents. **Westinghouse:** Types BA, EB, EHB, FB, HFB. **General Electric:** E100 Type TEB, E150, Types TED, THED. **Square D:** Types EH, FAIF. The National Electric Code requires ground fault protection of equipment for each branch circuit supplying electrical heating cables or devices.

## Power Adjustment Factor

Part No.	208 Volts	277 Volts
2305-2	.78	1.25
2310-2	.86	1.16
2315-2	.92	1.09

ISO 9001 REGISTERED

Brand Industrial Services, Inc.  
1325 Cobb International Dr. Ste A-1  
Kennesaw, GA USA 30152  
Toll free: 800 558 4772

©2022 All rights reserved. BSL DT 2300

**Diamond**  
THERMAL SYSTEMS™  
BY BRAND SAFWAY

**BRAND SAFWAY**

For more information, visit [www.brandsafway.com](http://www.brandsafway.com)