

HTP 1548-40PTP/1548-40PTJ

Power Connection Kit for Pipes

For use with Dekoron 2700 and 2300 families of heating cables
1548-81HTJ/81HTP for use with 2000 series heating cables



Kit Description

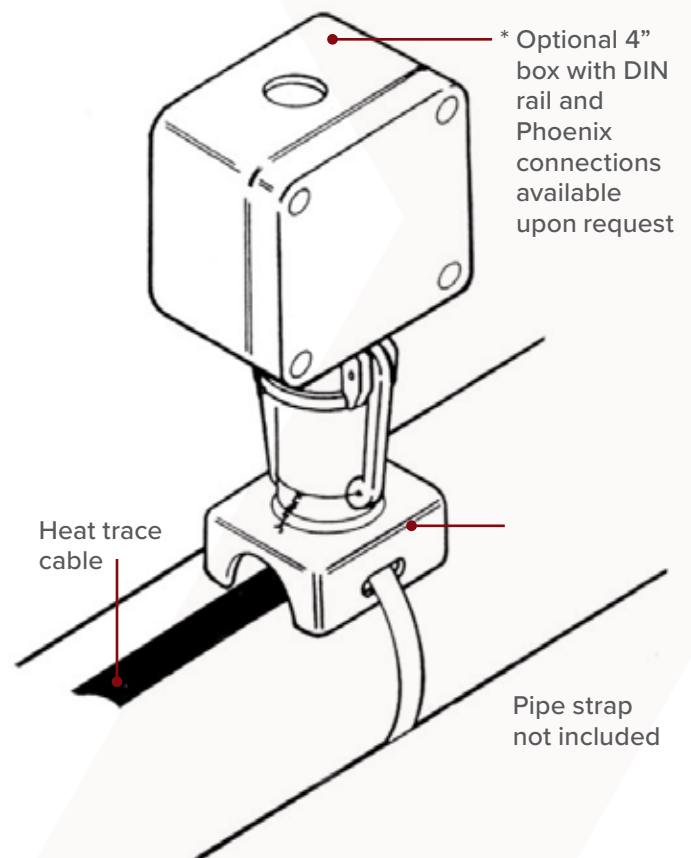
The Power Connection Kit is designed for use in ordinary and Division 2 locations. The kit provides excellent resistance to ultraviolet rays from sun, as well as inorganic chemicals and most corrosives.

1548-40PTP, 1548-81HTP Contents

Qty.	Description
1	Base
1	Top
1	Sealing Grommet (large hole)
1	Sealing Grommet (small hole)
1	Sealing Gasket
2	Shrink Tubes 1/8" x 51/2" (black)
1	Shrink Tube 1/4" x 51/2" (green/yellow)
1	Shrink Tube 1/2" x 11/2" (white)
1	Lock Ring
1	Adaptor (for installation on pipe smaller than 1")
1	Stainless Steel Tie Wire

Standard Junction Box

Only included in 1548-40PTJ/1548-81HTJ kits



**FM Non-Hazardous and
Div. 2 Approved Locations**

Installation Instructions

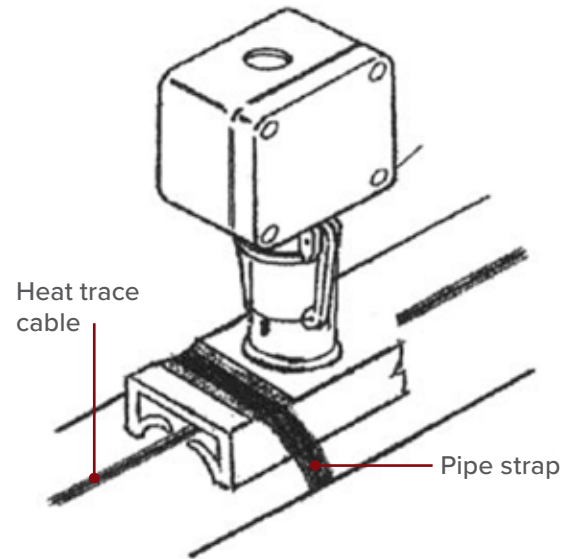
HTP 1548-82100 Electrical Connection Kit

For use with HTP 2700, 2300 and 2000 families of heating cables



Kit Description

This kit contains components required to make one "T connection" or one power input connection in ordinary or Division 2 locations.



Kit Contents

Qty.	Description
1	Base
1	Top
1	Grommet (3 large holes)
1	Grommet (3 small holes)
2	Grommet Hole Plugs
1	Black Silicone Sealing Gasket
2	1.25" Sealing Ring
1	1.25" Locking Ring
2	14 AWG Ground Wires (6 inch length)
2	14 AWG Ring Terminals
1	Self Threading Bolt/Screw
1	Tie Wire
3	Termination Boot (with clear inserts)
1	Roll of Fiberglass Tape
1	Silicone Sealant
2	Pipe Strap (for 2" to 6" O.D. pipes)
1	Electrical Junction Box

Additional Items Required but Not Supplied:

- › Pipe Strap (for pipe sizes other than 2" to 6")
- › Additional Glass Tape

Tools Required:

- › Screwdrivers
- › Wire Cutters
- › Knife
- › Diagonal Cutting Pliers
- › Needle-Nose Pliers
- › Razor Blade or Utility